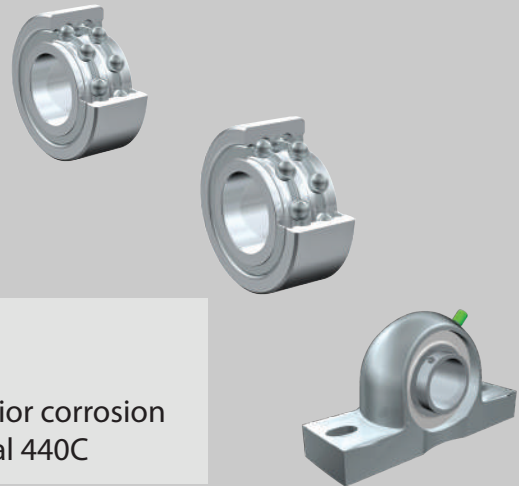


Member of the ZEN group

PBI INTERNATIONAL
ZEN BEARINGS FOR YOUR FUTURE

ZEN Stainless Steel Bearings

- Resistant to corrosion from moisture
- Food processing and packaging
- Medical and Marine applications
- Chemical environments
- FDA food approved grease available



Manufactured from a variety of Stainless Steel material.

AISI 440C	-	Rockwell C hardness: 55-60
AISI 420C	-	Rockwell C Hardness: 52-55
AISI 316	-	Rockwell C hardness: 25-39 - Superior corrosion resistance compared to conventional 440C

ZEN designs and manufactures 440, 420 and 316 Stainless Steel ball bearing types including:

SS Miniature – Metric and Inch Series
 SS Thin Section – S61700, S61800, S61900 Series up to 130mm bore
 SS Three Part Thrust – SB – SF – S511.. – S512.. Series up to 50mm bore
 SS Popular Metric – S6000, S6200, S6300 Series up to 100mm bore
 SS Housings – SK – SP – SF – SFL - ST
 SS Inserts – SU – SUC – SUCX – SSB
 SS Single and Double Row Angular Contact Bearings – S7200, S7300 Series up 50mm bore
 SS Double Row Bearings – S2200, S3200, S3300, S4200 Series up to 50mm bore

For more information about any of our products please call us on [+44 \(0\)1227 793334](tel:+4401227793334) or visit www.ball-bearings.biz to see our full range of Stainless Steel Bearings.



PBI International
 Unit 2 Tyler House, Tyler Way
 Whitstable, Kent CT5 2RS
 Tel. +44 (0) 1227 793334 Fax. +44 (0) 1227 794166

